



CRYSTEX COMPOSITES LLC

Mykroy/Mycalex® Ceramics
 125 Clifton Boulevard, Clifton NJ, 07011
 Phone: +1- 973-779-8866 Fax: +1-973-779-2013
www.mycalexinsulators.com



MM50XC-60-110

MYCALEX® stand-off insulator
 Isolateur supports en MYCALEX®



MM50XC-60

Manufacturing process : TRANSFER MOLDING
 Fabrication : MOULAGE TRANSFERT

Insert : Treated steel (Stainless steel on request)
 Insert : Acier traité (Inox sur demande)

ROHS compliant (Pb Free)
 Conforme directive ROHS (Sans plomb)

Extra smooth finish - No water absorption.
 Finition extra lisse - pas d'absorption d'eau

Does not burn Compliant to NF F16-101
 Ne brûle pas and NF F16-102

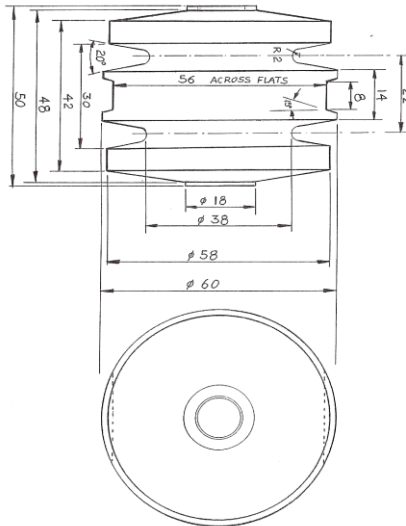
MATERIAL: Glass-Mica Ceramic
 MATERIAU: Ceramique verre-mica

Typical Applications:

- | | |
|-------------------------------------|----------------------------|
| Railway Motors | Resistor Boxes |
| Heater Systems | Switchbox mountings |
| Arc separators | Mountings for trolleys |
| Switchgear chambers | Overhead switch controls |
| Insulation supports for HF windings | High temperature terminals |
| And many others... | |

Part	Insert Type Male=M Female = F	Thread Pitch (mm)	Thread Depth (mm)	Pitch/Pas	Weight (kg)
MM50XC M10	2F	M10	12	150	0.30
MM50XC M12	2F	M12	12	175	0.30

Male threaded rods can be added upon request
 Inserts tige filetée sur demande.



Dimensional Values	
Height	50mm ± 0.25
Diameter	60mm
Hexagonal across the flats	56 mm
Creepage distance	110 mm
Mechanical Characteristics	
Tensile Strength	≥1,500 daN
End flexural strength	500 daN
Compressive strength	7000 daN
Torsion (female insert)	>90 Nm
Electrical Characteristics/Caract. Électriques	
Arc over voltage in air	>26 kV
Breakdown voltage (dry)	>22 kV
Insulation resistance G-Ohm at 1,000V DC	≥200 GΩ
Capacitance (1KHz)	6.2 pF
Test Conditions/ Conditions d'essais	
Voltage	22 kV
Frequency	60Hz
Duration	1 min

To the best of our knowledge the information contained herein is accurate; however, Crystex Composites LLC does not accept any liability regarding the accuracy or completeness of such information. Purchaser has the sole responsibility in determining the suitability of any material described herein for the use contemplated and the processing of such material by purchaser

MYCALEX INSULATORS