



CRYPEX COMPOSITES LLC

Mykroy/Mycalex® Ceramics
 125 Clifton Boulevard, Clifton NJ. 07011
 Phone:+1- 973-779-8866 Fax: +1-973-779-2013
www.mycalexinsulators.com



MM50-65

MYCALEX® stand-off insulator
 Isolateur supports en MYCALEX®



MM50

Manufacturing process : TRANSFER MOLDING
 Fabrication : MOULAGE TRANSFERT

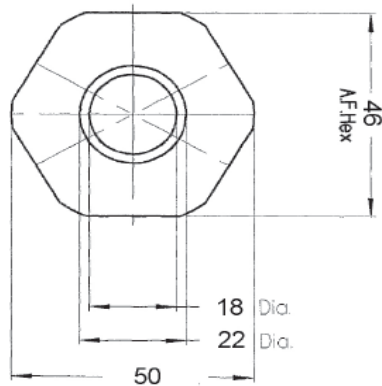
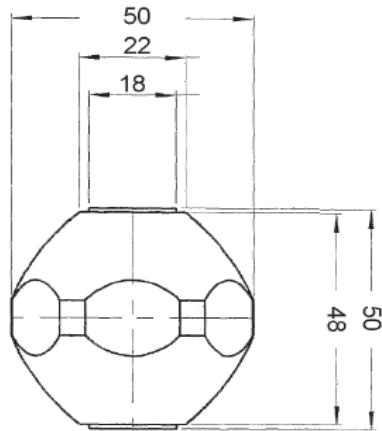
Insert : Treated steel (Stainless steel on request)
 Insert : Acier traité (Inox sur demande)

ROHS compliant (Pb Free)
 Conforme directive ROHS (Sans plomb)

Extra smooth finish - No water absorption.
 Finition extra lisse - pas d'absorption d'eau

Does not burn Compliant to NF F16-101
 Ne brûle pas and NF F16-102

MATERIAL: Glass-Mica Ceramic
 MATERIAU: Ceramique verre-mica



Typical Applications:

- Railway Motors
- Heater Systems
- Arc separators
- Switchgear chambers
- Insulation supports for HF windings
- And many others...
- Resistor Boxes
- Switchbox mountings
- Mountings for trolleys
- Overhead switch controls
- High temperature terminals

Part	Insert Type Male=M Female = F	Thread Pitch (mm)	Thread Depth (mm)	Pitch/Pas	Weight (kg)
MM50 M8	2 F	M8	12	1.25	0.2
MM50 M10	2 F	M10	12	1.5	0.2
MM50 M12	2 F	M12	12	1.75	0.2

Male threaded rods can be added upon request
 Inserts tige fileté sur demande.

Height/Hauteur	50mm ± 0.25mm
Diameter/Diamètre	50mm +0/-0.5mm
Hexagonal/Hexagonal	46mm +0/-0.5mm
Creepage distance/Ligne de fuite	65mm
Mechanical Characteristics/Caract. Mécaniques	
Tensile Strength/Résistance Traction	≥1500 daN
End flexural strength/Résistance flexion en tête	≥450 daN
Compressive strength/Résistance compression	≥7000 daN
Torsion/Résistance torsion	>90 Nm
Electrical Characteristics/Caract. Électriques	
Arc over voltage/Tension de contournement	≥26kV
Breakdown voltage/Tension de perforation	≥22 kV
Insulation resistance/Résistance d'isolement	>200 GΩ
Capacitance (1KHz)/Capacité (1KHz)	6.5 pF
Test Conditions/ Conditions d'essais	
Voltage/Tension	22kV
Frequency/Fréquence	60Hz
Duration/Durée	1 min.
Temperature	20°C
Humidity	65%

To the best of our knowledge the information contained herein is accurate; however, Crystex Composites LLC does not accept any liability regarding the accuracy or completeness of such information. Purchaser has the sole responsibility in determining the suitability of any material described herein for the use contemplated and the processing of such material by purchaser

MYCALEX INSULATORS