



**CRYSTEX COMPOSITES LLC**

Mykroy/Mycalex® Ceramics  
 125 Clifton Boulevard, Clifton NJ. 07011  
 Phone:+1- 973-779-8866 Fax: +1-973-779-2013  
[www.mycalexinsulators.com](http://www.mycalexinsulators.com)



**MM35-43**

MYCALEX® stand-off insulator  
 Isolateur supports en MYCALEX®



**MM35**

Manufacturing process : TRANSFER MOLDING

Fabrication : MOULAGE TRANSFERT

Insert : Treated steel (Stainless steel on request)  
 Insert : Acier traité (Inox sur demande)

ROHS compliant (Pb Free)

Conforme directive ROHS (Sans plomb)

Extra smooth finish - No water absorption.  
 Finition extra lisse - pas d'absorption d'eau

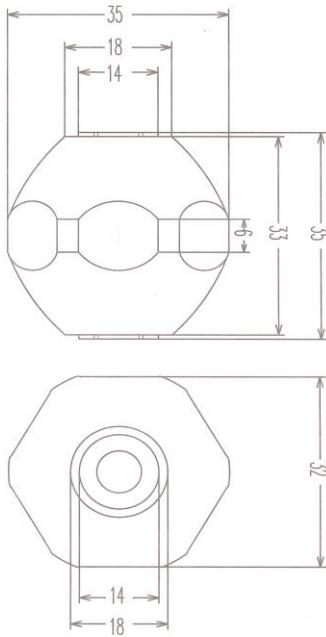
Does not burn Compliant to NF F16-101  
 Ne brûle pas and NF F16-102

MATERIAL: Glass-Mica Ceramic

MATERIAU: Ceramique verre-mica

**Typical Applications:**

- Railway Motors
- Heater Systems
- Arc separators
- Switchgear chambers
- Insulation supports for HF windings
- And many others...
- Resistor Boxes
- Switchbox mountings
- Mountings for trolleys
- Overhead switch controls
- High temperature terminals



Part	Insert Type Male=M Female = F	Thread Pitch (mm)	Thread Depth (mm)	Pitch/Pas	Weight (kg)
MM35-43 M8	2 F	M8	8	125	0.08
MM35-43 M10	2 F	M10	8	125	0.08

Male threaded rods can be added upon request  
 Inserts tige fileté sur demande.

Dimensional Values/Dimensions	
Height/Hauteur	35mm
Diameter/Diamètre	35mm
Hexagonal/Hexagonal	32mm
Creepage distance/Ligne de fuite	43mm
Mechanical Characteristics/Caract. Mécaniques	
Tensile Strength/Résistance Traction	≥650daN
End flexural strength/Résistance flexion en tête	≥200daN
Compressive strength/Résistance compression	≥4200daN
Torsion/Résistance torsion	≥30 Nm
Electrical Characteristics/Caract. Électriques	
Arc over voltage in air/Tension de contournement air	≥20kV
Breakdown voltage in air/Tension de perforation air	≥18kV
Insulation resistance/Résistance d'isolement	≥10 GΩ
Capacitance /Capacité	in test
Test Conditions/ Conditions d'essais	
Voltage/Tension	16kV
Frequency/Fréquence	60Hz
Duration/Durée	1 min.

To the best of our knowledge the information contained herein is accurate; however, Crystex Composites LLC does not accept any liability regarding the accuracy or completeness of such information. Purchaser has the sole responsibility in determining the suitability of any material described herein for the use contemplated and the processing of such material by purchaser

**MYCALEX INSULATORS**