

MYCALEX INSULATORS

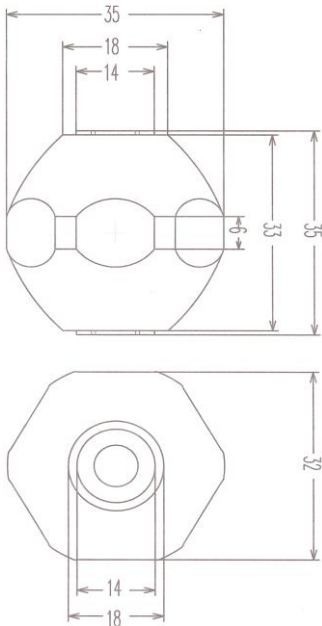


CRYPEX COMPOSITES LLC
 Mykroy/Mycalex® Ceramics
 125 Clifton Boulevard, Clifton NJ. 07011
 Phone: +1- 973-779-8866 Fax: +1-973-779-2013
www.mycalexinsulators.com



MM35-43

MYCALEX® stand-off insulator



Manufacturing process : TRANSFER MOLDING
 MATERIAL: Glass-Mica Ceramic Grade MM451
 Operating Temperature -50 to 450°C
 ROHS compliant (Pb Free)

Mycalex Insulators are made from inorganic materials that do not burn , glass, mica and metal inserts. Compliant to EN45545-2, NF F16-101 and NF F16-102

CTI - >600

Insert : Nickel Plated Carbon Steel. Brass or Stainless Steel available on request. Male studs available on request.

Part	Insert Type Male=M Female = F	Thread Pitch (mm)	Thread Depth (mm)	Pitch	Weight (kg)
MM35-43 M8	2 F	M8	8	1.25	0.08
MM35-43 M10	2 F	M10	8	1.25	0.08

Male Studs can be added on request

Dimensions	
Height	35mm
Diameter	35mm
Hexagonal over flats	32mm
Creepage distance	43mm
Mechanical Characteristics	
Tensile Strength	≥650daN
End flexural strength	≥200daN
Compressive strength	≥4200daN
Torsion/Résistance torsion	≥3daN-m
Electrical Characteristics	
Arc over voltage in air	≥20kV
Breakdown voltage in air	≥18kV
Insulation resistance	≥10 GΩ
Capacitance	in test
Test Conditions	
Voltage	16kV
Frequency	60Hz
Duration	1 min.

Made with pride in the USA

To the best of our knowledge the information contained herein is accurate; however, Crystex Composites LLC does not accept any liability regarding the accuracy or completeness of such information. Purchaser has the sole responsibility in determining the suitability of any material described herein for the use contemplated and the processing of such material by purchaser

MYCALEX INSULATORS