



MM35

MYCALEX® stand-off insulator
Isolateur supports en MYCALEX®



CRYSTEX COMPOSITES LLC

MYCALEX Insulators

125 Clifton Boulevard, Clifton NJ. 07011

Phone: 973-779-8866 Fax: 973-779-2013 www.crystexcomposites.com



MM35

Manufacturing process : TRANSFER MOLDING
Fabrication : MOULAGE TRANSFERT

Insert : Treated steel (Stainless steel on request)
Insert : Acier traité (Inox sur demande)

ROHS compliant (Pb Free)
Conforme directive ROHS (Sans plomb)

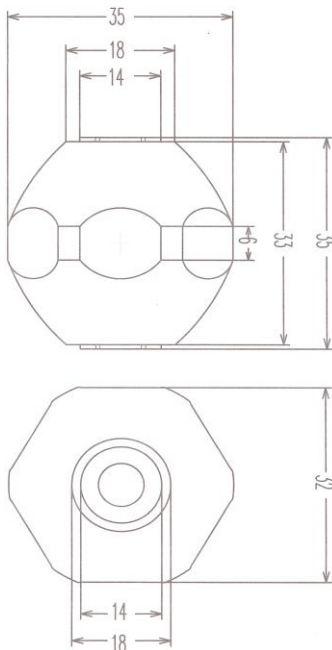
Extra smooth finish - No water absorption.
Finition extra lisse - pas d'absorption d'eau

Does not burn Compliant to NF F16-101
Ne brûle pas and NF F16-102

MATERIAL: Glass-Mica Ceramic
MATERIAU: Ceramique verre-mica

Typical Applications:

Railway Motors	Resistor Boxes
Heater Systems	Switchbox mountings
Arc separators	Mountings for trolleys
Switchgear chambers	Overhead switch controls
Insulation supports for HF windings	High temperature terminals
And many others...	



Part	Insert Type Male=M Female = F	Thread Pitch (mm)	Thread Depth (mm)	Pitch/Pas	Weight (kg)
MM35 M8	2 F	M8	8	125	0.08

Male threaded rods can be added upon request
Inserts tige fileté sur demande.

Dimensional Values/Dimensions	
Height/Hauteur	35mm
Diameter/Diamètre	35mm
Hexagonal/Hexagonal	32mm
Creepage distance/Ligne de fuite	43mm
Mechanical Characteristics/Caract. Mécaniques	
Tensile Strength/Résistance Traction	≥650daN
End flexural strength/Résistance flexion en tête	≥300daN
Compressive strength/Résistance compression	≥4200daN
Torsion/Résistance torsion	≥3daN-m
Electrical Characteristics/Caract. Électriques	
Arc over voltage in air/Tension de contournement air	≥20kV
Breakdown voltage in air/Tension de perforation air	≥18kV
Insulation resistance/Résistance d'isolement	≥10 GΩ
Capacitance /Capacité	in test
Test Conditions/ Conditions d'essais	
Voltage/Tension	16kV
Frequency/Fréquence	60Hz
Duration/Durée	1 min.

To the best of our knowledge the information contained herein is accurate; however, Crystex Composites LLC does not accept any liability regarding the accuracy or completeness of such information. Purchaser has the sole responsibility in determining the suitability of any material described herein for the use contemplated and the processing of such material by purchaser

MYCALEX INSULATORS